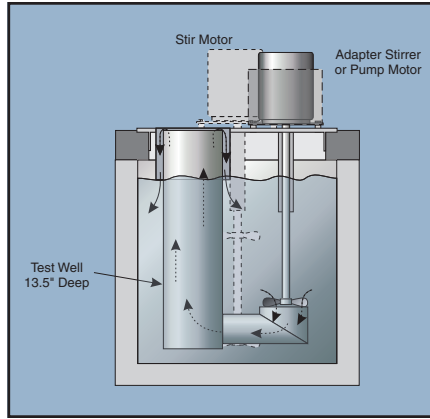
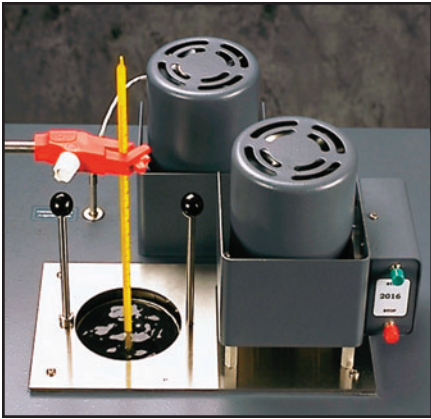


## FLUID LEVEL ADAPTER

Model 2016



Add this accessory to your Hart bath for easy calibration of liquid-in-glass thermometers.

This fluid level adapter fits in the access opening of your bath. It includes a pump

and a cylindrical test well. Bath fluid is pumped up through the test well to a level just below the surface of the bath lid, giving you a clear sighting of the liquid column in your thermometer.

The diameter of the test well is 3.5 inches. The adapter can be placed in your bath or easily removed with no complex installation assembly—simply plug it in.

The world's best baths for sensor calibrations are now the world's best baths for glass thermometer calibrations as well. If you're required to service glass thermometers, add this accessory to your bath purchase or to the Hart bath already in your lab.

### Ordering Information

2016-X	Fluid Level Adapter
2017	LIG Thermometer Holder for 2016-X, holds 10 thermometers

*X = bath model number. Specify the bath model, its power requirements, and dimensions of its access opening.*

## FLUID LEVEL ADAPTER

Model 2019

For customers needing to calibrate glass thermometers, Hart engineers have designed a fluid level adapter that slides directly into the test wells of the 7030, 7013,

and 7100 calibration baths. (See page 90, 103, and 88 respectively.)

The fluid level adapter creates a positive bath fluid surface. The bath fluid in the test well is pumped up to the surface of the bath and kept there. This puts the glass thermometer meniscus above the edge of the bath test well for clear viewing during calibration.

The clear acrylic adapter cover protects the bath fluid from ambient temperature ef-

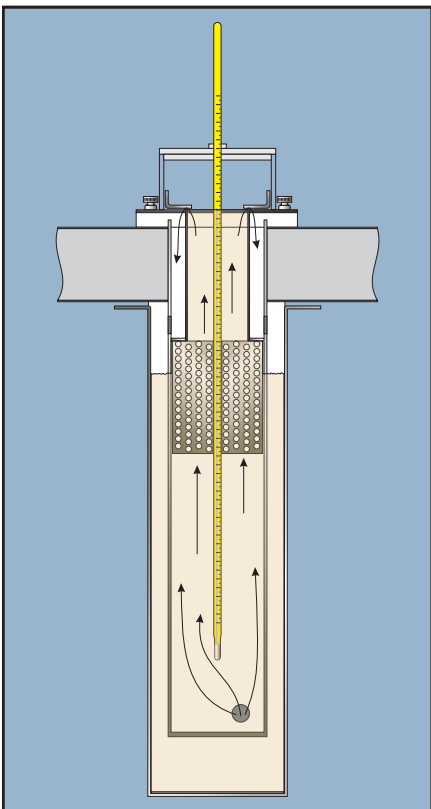
fects for better bath stability. The cover can be drilled for any size probe.

The adapter is easily pulled from the bath test well to allow more room during calibration of other thermometers and sensors.

### Ordering Information

2019-7030	Fluid Level Adapter, 7030
2019-7013	Fluid Level Adapter, 7013
2019-7100	Fluid Level Adapter, 7100

Baths



## MAGNIFYING SCOPE

Model 2069



Using a magnifying scope when calibrating liquid-in-glass thermometers can lower your uncertainty by enlarging the thermometer's scale and providing improved viewing resolution. This inexpensive model from Hart mounts easily to the front of any Hart Standard Bath or Deep-Well Compact Bath and can be used in conjunction with a fluid level adapter for optimal viewing.

### Ordering Information

2069	8X Magnifier Scope, with mounts
------	---------------------------------